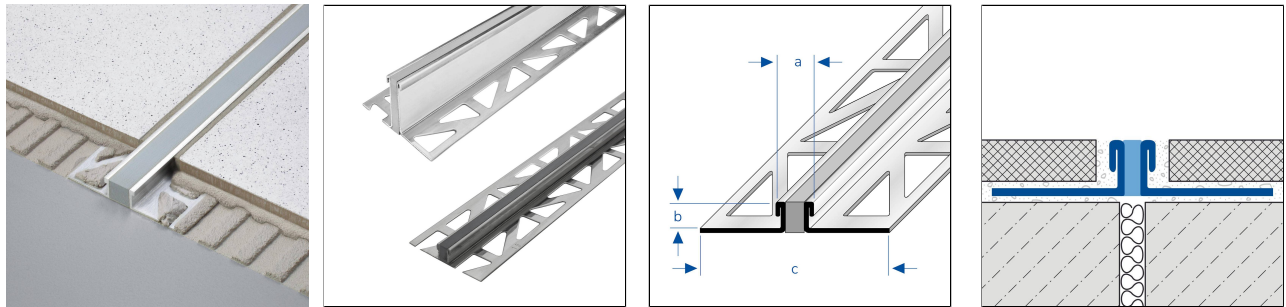




DURAFLEX METAL stainless steel (304)

Movement Joint Profile Made Of Stainless Steel For Thin-Bed Installation



MATERIAL

Stainless steel (V2A/304)/EPDM is particularly suitable for areas of application subject to high mechanical stress and where particularly high demands are placed on cleanliness, hygiene and chemical resistance. Avoid contact with products containing hydrochloric acid.

Tools made of unalloyed steel must not be used during processing. Open cut edges are not rust-resistant. If necessary, a separate rust protection must be applied there.

Depending on the ambient conditions, rust film can also occur on stainless steel and should be removed immediately.

The usability in terms of mechanical and chemical resistance must always be checked on a case-by-case basis.

CARE

Stainless steel V2A/304 does not require any special care. If necessary, it can simply be cleaned with clear, clean water and a few drops of washing-up liquid. Then wipe dry.

Acidic and abrasive cleaning agents should be avoided. Flash rust can be removed with commercially available polishes suitable for stainless steel.

PROCESSING

1. select the profile according to the tile thickness.
- 2 Apply tile adhesive with a notched trowel.
3. press the profile into the adhesive bed and align. Expansion joints from the substrate must be taken over congruently.
- 4 Fill the entire surface of the fixing leg.
5. press the tiles firmly into place and align them so that they are flush with the top edge of the profile. Lay the tiles fully.
6. leave a joint of 1-2 mm to the profile.
7. fill the space between the tiles and the profile completely with grout.

Use a slow-running angle grinder with a suitable cutting disc to cut the profiles. Prevent cutting sparks from being deposited on the

Please note: For technical reasons, tolerances in color effects of the materials and print are possible. All information is based on the best of our knowledge and belief. No guarantee can be derived from this. We reserve the right to any technical changes if they are in the interest of progress or if they are production-related.



profile surfaces.

Protect visible surfaces from contact with tile adhesive or grout and, if necessary, clean immediately with a cloth and clean water. Then rub dry.

The generally recognized rules of technology must be observed. Suitability in terms of mechanical and chemical resistance must always be checked on a case-by-case basis.

TECHNICAL DIMENSIONS AND PRODUCT VARIANTS

Material	[Stainless Steel (304)]
Surface	[natural]
Colour	natural
Length	250 cm
sight width	8 mm
Height	12.5 mm, 3 mm, 4 mm, 6 mm, 8 mm, 10 mm, 11 mm, 15 mm, 17 mm, 20 mm, 22 mm, 25 mm
Supplementary colour	EPDM insert: grey

PRODUCT VARIANTS

Ident	Height	Surface	Colour	Length
DFE 338/250	3 mm	natural	natural	250 cm
DFE 438/250	4 mm	natural	natural	250 cm
DFE 638/250	6 mm	natural	natural	250 cm
DFE 838/250	8 mm	natural	natural	250 cm
DFE 1038/250	10 mm	natural	natural	250 cm
DFE 1138/250	11 mm	natural	natural	250 cm
DFE 1238/250	12.5 mm	natural	natural	250 cm
DFE 1538/250	15 mm	natural	natural	250 cm
DFE 1738/250	17 mm	natural	natural	250 cm
DFE 2038/250	20 mm	natural	natural	250 cm
DFE 2238/250	22 mm	natural	natural	250 cm
DFE 2538/250	25 mm	natural	natural	250 cm

Please note: For technical reasons, tolerances in color effects of the materials and print are possible. All information is based on the best of our knowledge and belief. No guarantee can be derived from this. We reserve the right to any technical changes if they are in the interest of progress or if they are production-related.